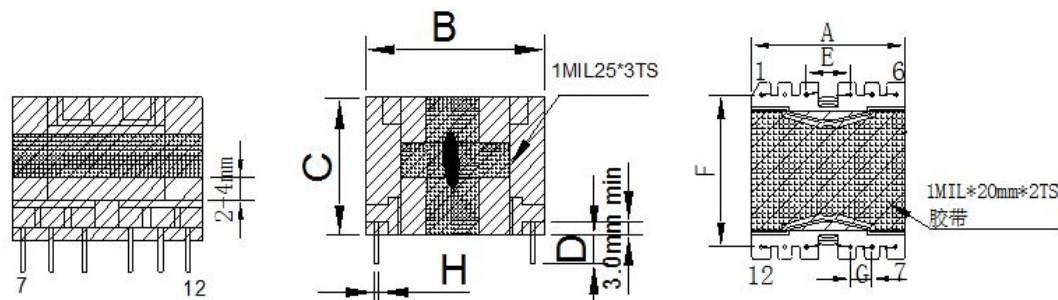


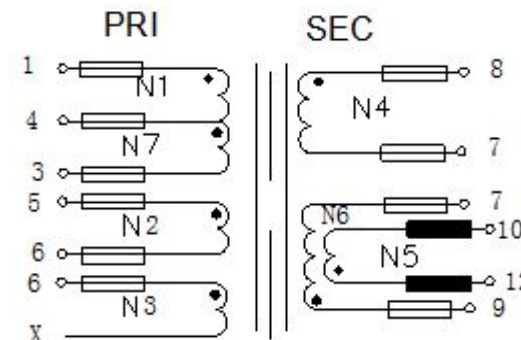
CUSTOMER TERMINAL	ROHS	Lead(Pb)-free
	YES	YES

## 1. Mechanical Dimensions



<b>A</b>	30.5	MAX
<b>B</b>	30.5	MAX
<b>C</b>	26.5	MAX
<b>D</b>	3.5	±0.5
<b>E</b>	7.6	±0.3
<b>F</b>	25.4	±0.4
<b>G</b>	3.8	±0.3
<b>H</b>	0.60	±0.1

## 2. Schematic Diagram



## 3. Material List

Core:FW44 PQ2625

Bobbin:FWB2602(6+6PIN)

Wire:2UEW TIW

Copper foil: 0.025t\*8.0mm

Operating Temperature: -30 to115 °C

## 4. Electrical Specification

Inductance: L(1-3):0.92mH±5% 50KHZ , 1V

Leakage Inductance : 12uH MAX 50KHZ , 1V

DCR:(1-3)=0.51ΩMAX (12-10)=0.2ΩMAX

Hi-Pot:P-S: AC 60Hz 4000V 2.0mA 3S

PIN1-CORE: AC 60Hz 1500V 2.0mA 3S

REV.	DATE	<p>Convention Placement</p>	DRW.	Drawing Title: <b>TRANSFORMER</b>	Part No:
0	00/00		CHK.		FWPTPQ2625V921J
			APP.		Customer P/N
<b>ROHS</b>		<a href="http://www.ferriwo.com">www.ferriwo.com</a>			